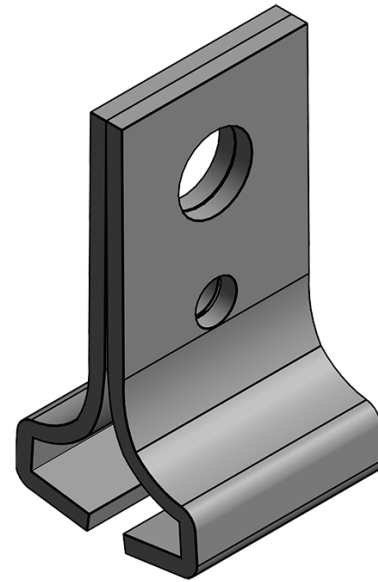


I-BEAM TRACK HANGER

A hanger used to support I-Beam type drapery track.

FAMILY INFORMATION

PB_Hanger_I_Standard.rfa	
Manufacturer	PBIM Generics
Revit Category	Specialty Equipment
PB Subcategory	PB-Track-Comp
LOD	350
Host	Unhosted / Workplane
Masterformat	11 61 44
Uniformat	E1070.10
Omniclass	23.40.50.14.24
PB Version	20.1.1.0
PB ID Number	RFA-001-01060100-0010



PRODUCT INFORMATION

Manufacturer	PBIM Generics
Series	N/A
Product Model	N/A
Assembly Code	N/A

FAMILY TYPES

N/A

PARAMETER INFORMATION

Parameter Flexing

The family may be flexed through type parameters and instance parameters. Parameters included in the following groups are intended to be user editable:

- Constraints
- Graphics
- Materials

Changing parameters in any other group risks “breaking” the family, and is not supported.

Parameter Descriptions

Type Parameters

Hanger Material	The material used for the hanger body. Default is PB_Aluminum
-----------------	---

Instance Parameters

None	No Instance parameters are available for this family.
------	---

USE INSTRUCTIONS

Insertion & Placement

The family may be inserted either through Insert -> Load Family, dragging into a project window, or via a content management system (as applicable). The family is designed to insert on top of the track or selected workplane.

Customization

The only available customization is the material.

Other Parameters

As indicated on Page 2, while there are other parameters that are open to adjustment, **Performance BIM only supports user-editing parameters in the Constraints, Graphics, Materials and Finishes, and Identity Data groups. Any changes to other groups is done at the user's risk, and will not be supported by Performance BIM.**

Visibility Options

The visibility can be adjusted in the Visibility Graphics or Object Styles area under Specialty Equipment-> PB-Track-Comp.