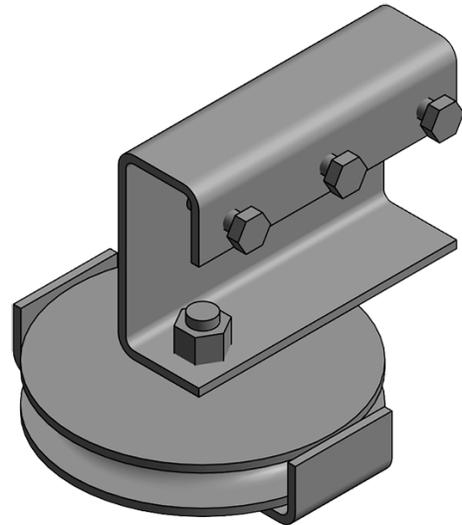


I-BEAM TRACK SINGLE END PULLEY

4" diameter sheave and bracket for returning the operating line to either a master carrier or the operator end of the track. Designed for use with I-Beam type track.

FAMILY INFORMATION

PB_SingleEndPulley_I_Standard_4.rfa	
Manufacturer	PBIM Generics
Revit Category	Specialty Equipment
PB Subcategory	PB-Track-Comp
LOD	350
Host	Unhosted / Workplane
Masterformat	11 61 44
Uniformat	E1070.10
Omniclass	23.40.50.14.24
PB Version	20.1.1.0
PB ID Number	RFA-001-01060100-0017



PRODUCT INFORMATION

Manufacturer	PBIM Generics
Series	N/A
Product Model	N/A
Assembly Code	N/A

FAMILY TYPES

3/16" Operating Line
1/2" Operating Line

PARAMETER INFORMATION

Parameter Flexing

The family may be flexed through type parameters and instance parameters. Parameters included in the following groups are intended to be user editable:

- Constraints
- Graphics
- Materials

Changing parameters in any other group risks “breaking” the family, and is not supported.

Parameter Descriptions

Type Parameters

Hardware Material	Material used for the hardware. Default is PB_Metal_Zinc.
Pulley Material	Material used for the pulley. Default is PB_Metal_Black.
Sheave Material	Material used for the sheave. Default is PB_Plastic_Black.

Instance Parameters

None	No Instance parameters are available for this family.
------	---

USE INSTRUCTIONS

Insertion & Placement

The family may be inserted either through Insert -> Load Family, dragging into a project window, or via a content management system (as applicable).

Customization

The only available customization is the material selection.

Other Parameters

As indicated on Page 2, while there are other parameters that are open to adjustment, **Performance BIM only supports user-editing parameters in the Constraints, Graphics, Materials and Finishes, and Identity Data groups. Any changes to other groups is done at the user's risk, and will not be supported by Performance BIM.**

Visibility Options

The visibility can be adjusted in the Visibility Graphics or Object Styles area under Specialty Equipment-> PB-Track-Comp