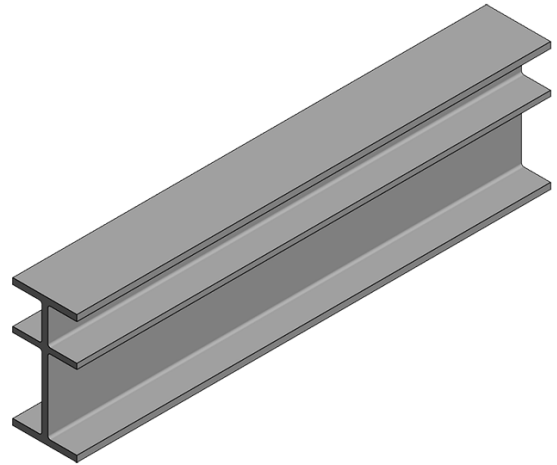


HEAVY DUTY I-BEAM TRACK

A heavy duty, straight I-Beam drapery track. This is a line based extrusion family that includes only track geometry. A PBIM Generics Drapery may be hosted to the track.

FAMILY INFORMATION

PB_Track_I_Heavy.rfa	
Manufacturer	PBIM Generics
Revit Category	Specialty Equipment
PB Subcategory	PB-Track
LOD	350
Host	Unhosted / Workplane
Masterformat	11 61 44
Unifomat	E1070.10
Omniclass	23.40.50.14.24
PB Version	20.1.1.0
PB ID Number	RFA-001-01060000-0004



PRODUCT INFORMATION

Manufacturer	PBIM Generics
Series	N/A
Product Model	N/A
Assembly Code	N/A

FAMILY TYPES

N/A

PARAMETER INFORMATION

Parameter Flexing

The family may be flexed through type parameters and instance parameters. Parameters included in the following groups are intended to be user editable:

- Constraints
- Graphics
- Materials

Changing parameters in any other group risks “breaking” the family, and is not supported.

Parameter Descriptions

Type Parameters

Track Material	The material used for the Track. Default is PB_Aluminum.
----------------	--

Instance Parameters

Length	The length of the track.
--------	--------------------------

USE INSTRUCTIONS

Insertion & Placement

The family may be inserted either through Insert -> Load Family, dragging into a project window, or via a content management system (as applicable). Placing the track initiates a selection process to choose the starting and ending points of the track.

IMPORTANT— The family is designed to insert the TOP of the track at the selected workplane. The idea is that it can be hosted to a pipe or ceiling. This means that, if inserted at the Level at which you are viewing, the track will be placed under that Level, and may be hidden from view as it will insert below the set view range. It is important to host the track to an object or workplane that is above the Bottom View Range. We also recommend creating a section near the insertion area to easily flex the track after placement.

Customization

The only available customization is the track material.

Other Parameters

As indicated on Page 2, while there are other parameters that are open to adjustment, **Performance BIM only supports user-editing parameters in the Constraints, Graphics, Materials and Finishes, and Identity Data groups. Any changes to other groups is done at the user's risk, and will not be supported by Performance BIM.**

Subcategories

Subcategories

All Performance BIM fixtures' geometry are applied a custom subcategory to better customize views. All geometric components are assigned to the PB-Track subcategory, under the Specialty Equipment category.